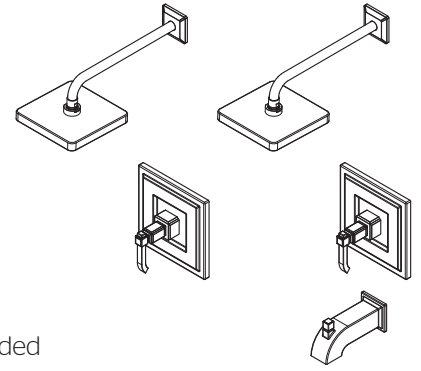


- | | |
|---|---|
| R89-7WEC Finish(CC) <input type="checkbox"/> | R89-8WEC Finish(CC) <input type="checkbox"/> |
| R89-7WED Finish(DD) <input type="checkbox"/> | R89-8WED Finish(DD) <input type="checkbox"/> |
| R89-7WEK Finish(KK) <input type="checkbox"/> | R89-8WEK Finish(KK) <input type="checkbox"/> |
| R89-7WEY Finish(Y Y) <input type="checkbox"/> | R89-8WEY Finish(Y Y) <input type="checkbox"/> |



Specifications

- Lever Handles
- Trim Only, Valve Not Included

Features

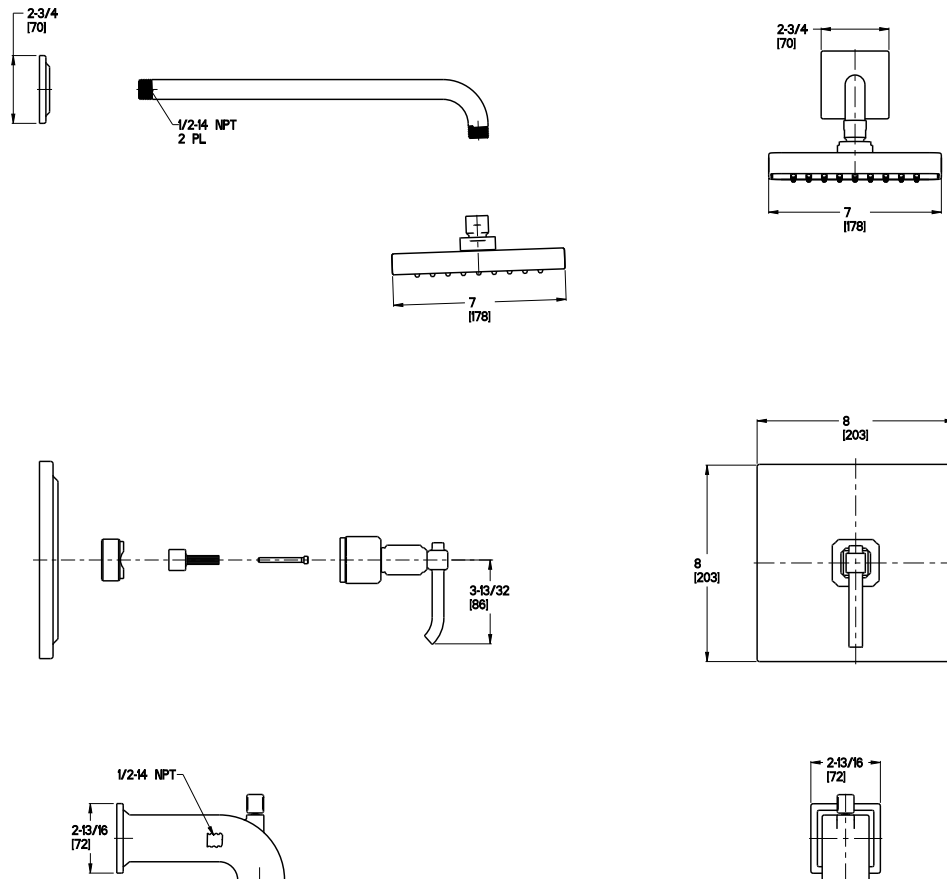
- Solid Metal Construction
- Lever Handle
- Brass Ball Joints
- Fits OX8 and OX9 Valve Bodies
- Shower Only (7WE Only)
- Tub & Shower (8WE Only)
- Trim Only, Valve Not Included
- Decorative Shower Arm
- Raincan
- Pforever Warranty®

Code Compliance

- Pfister products are designed and manufactured in compliance with the following standards and codes:
- IAPMO Certified
 - CSA B125 Certified
 - ASME A112.18.1
 - Cal Green Compliant
 - ADA Compliant-ANSI A117.1 (Lever handles only)



Dimensions



Ø1 Min to Ø1-1/2 Max. Deck Hole Openings